

# 800 DSL

CERAMIC | Forced Air Marine Stove



The Greenboost burner burns renewable fossil-free diesel cleanly and energy-efficiently, as well as fossil based diesel fuel.

Exhaust gas is safely expelled outside keeping the indoor air clean and odorless.

Fully enclosed laminar burning process ensures a quiet sound level and dries the indoor air.



Brushless blower motors have a very long life-cycle, supporting reliably long service intervals.

Feeding fuel directly from the main tank of the vessel saves space and eliminates the need for a separate tank.

Durable Finnish design and manufacturing keep your Wallas running through tough weather conditions.



Excellent choice for small spaces.

Laminar combustion is a safe flameless burning process.

Unlike propane stoves, diesel stoves do not require gas inspections.

# 800 DSL

CERAMIC | Forced Air Marine Stove



## SPECIFICATIONS

Fuel:	Diesel
Power:	900-1400 W (3,000-4,700 BTU)
Operating voltage:	12 V
Fuel consumption:	0,09-0,14 l/h (3.16-4.9 oz/hr)
Electricity consumption:	0.7 A
Colors:	Stainless steel, black

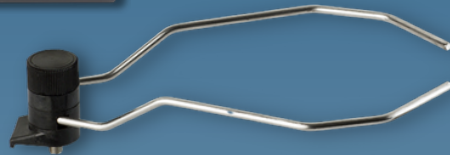
## HEATER BLOWER LID

220 D blower lid accessory is a convenient addition for cabin air heating.



## PI THERMO CONTROL PANEL

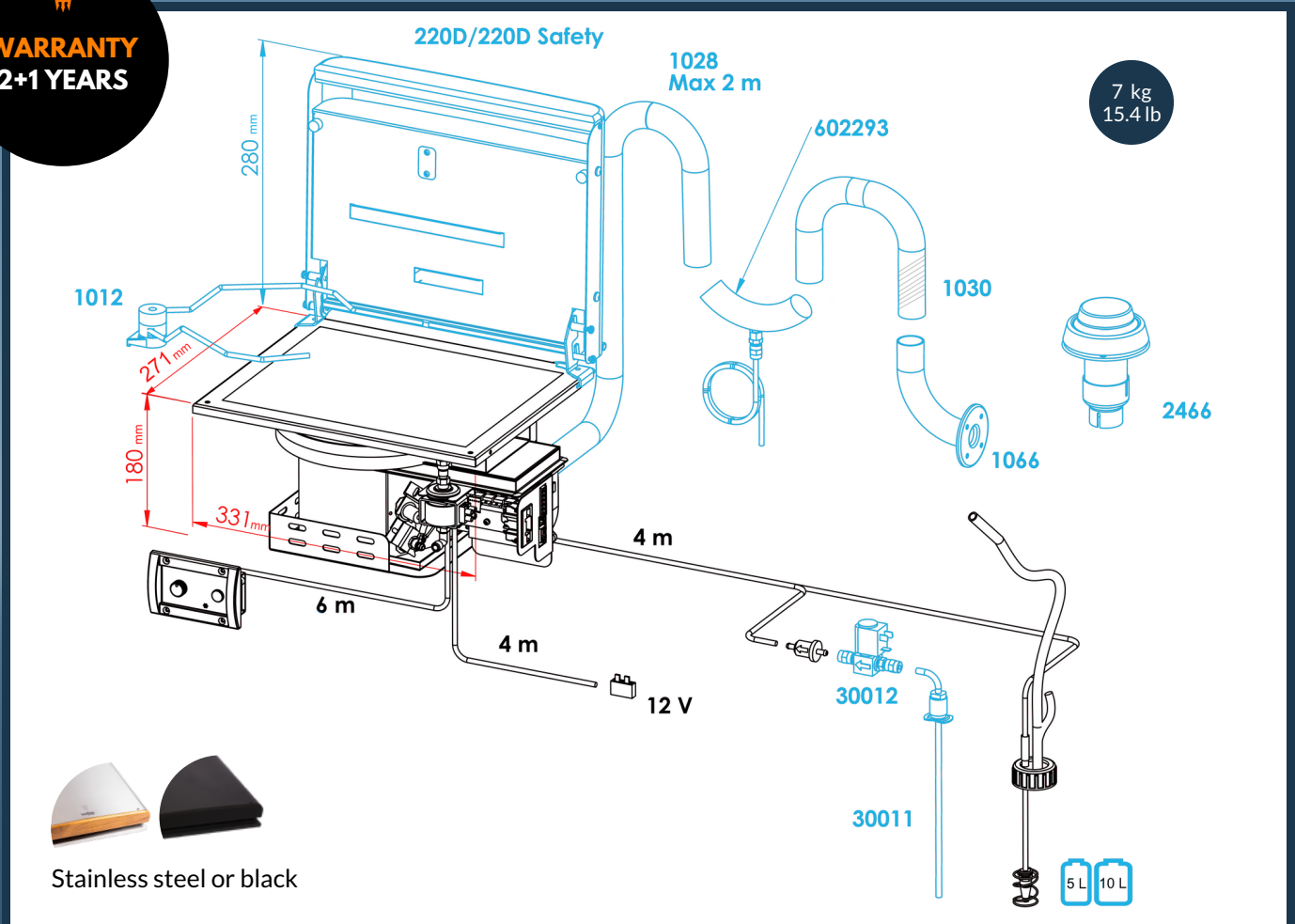
Ceramic cooktop is easy to operate with the power knob similar to domestic stoves.



## KETTLE HOLDER

Kettle holder (accessory 1012) keeps pots safely in place if used in rougher weather.

**WARRANTY**  
2+1 YEARS



Accessories in black come with the standard package. Accessories in blue are additional. The calculated values are measured in a reference measurement wall, which is constructed to respond to a typical boat installation. The technical values have been measured with the maximum length of ducting, exhaust pipe, fuel line, and power cord. The figures allow for 10% reserve - yours may vary.

All rights reserved. Wallas-Marin reserves the right to change or improve its products and to make changes in the content of this product material without obligation to notify any person or organization of such changes or improvements. Go to [www.wallas.com](http://www.wallas.com) for current updates and supplemental information concerning this product.



[www.wallas.com](http://www.wallas.com)