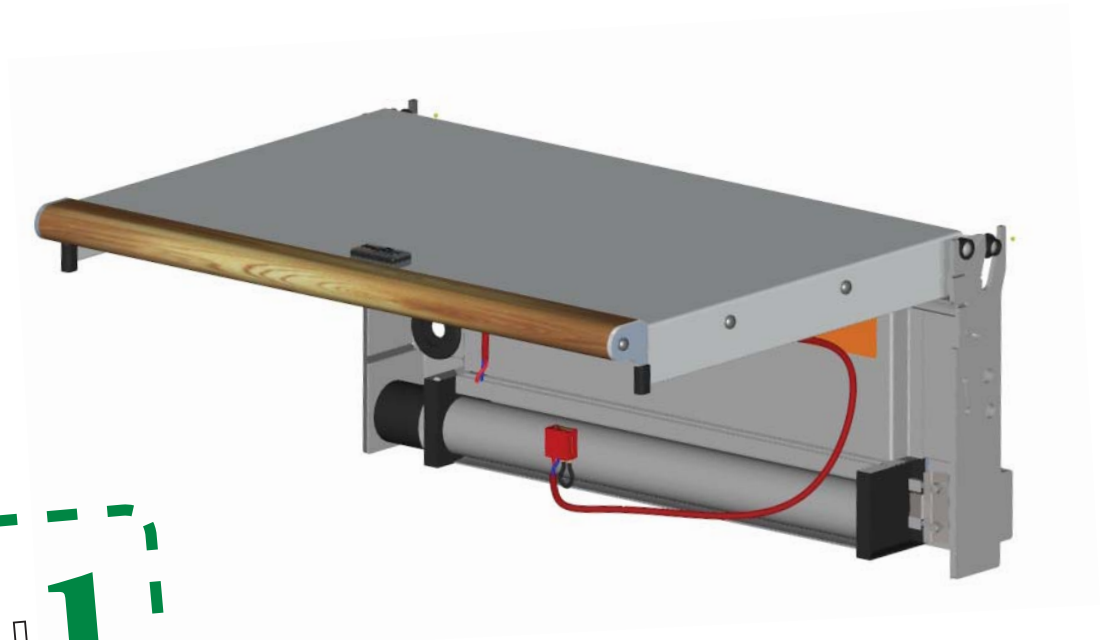


# 270



Asennus-, käyttö- ja huolto-ohjeet



Installation, operation and service instructions

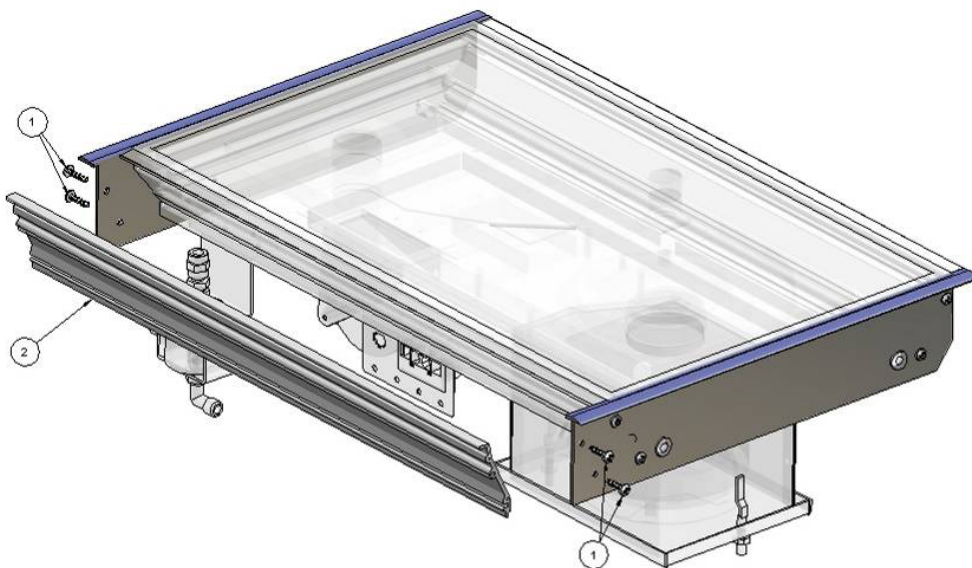
## 270 & 85DU

### Remove unnecessary parts.

Remove four screws (1).

Remove the back plate (2).

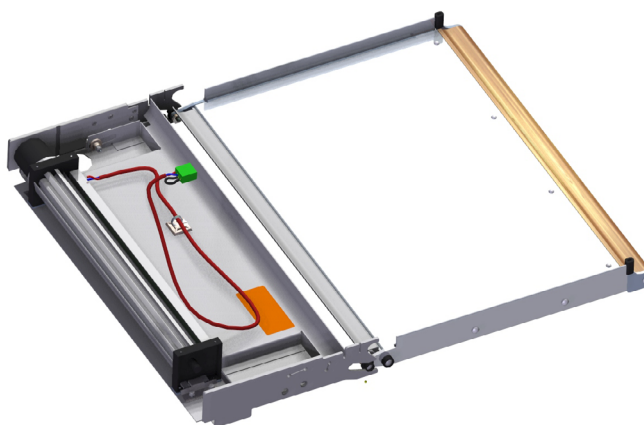
Save or discard items, these are not used with the **270** blower lid.



### Installation of 270 blower unit

Unpack the blower unit.

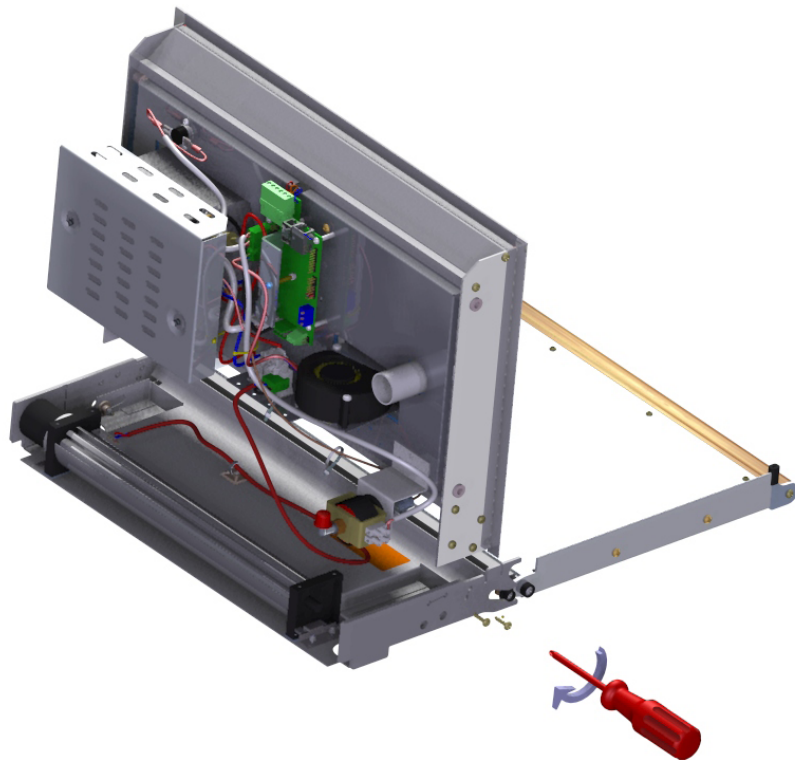
Place the blower lid on a soft flat surface as shown in the picture. Be careful not to scratch the surface.



### Package contents

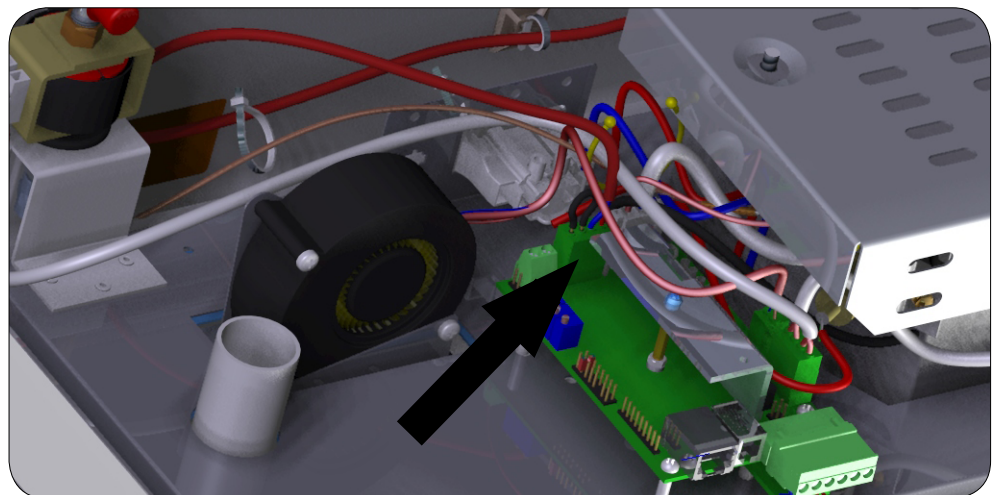
270	
1 pcs	Blower lid
1 pcs	Accessory bag <b>17695</b>
4 pcs	Fastening screw M4 x 12 mm
3 pcs	Cable tie
1 pcs	L-shape coverlist for installation hole
1 pcs	Installation, operation and service instructions

Place the **85DU** onto the blower unit as shown in picture below.  
Install and tighten M4x12 screws (4 pcs) (supplied with blower unit).



**Connect the cable between 85DU and 270**

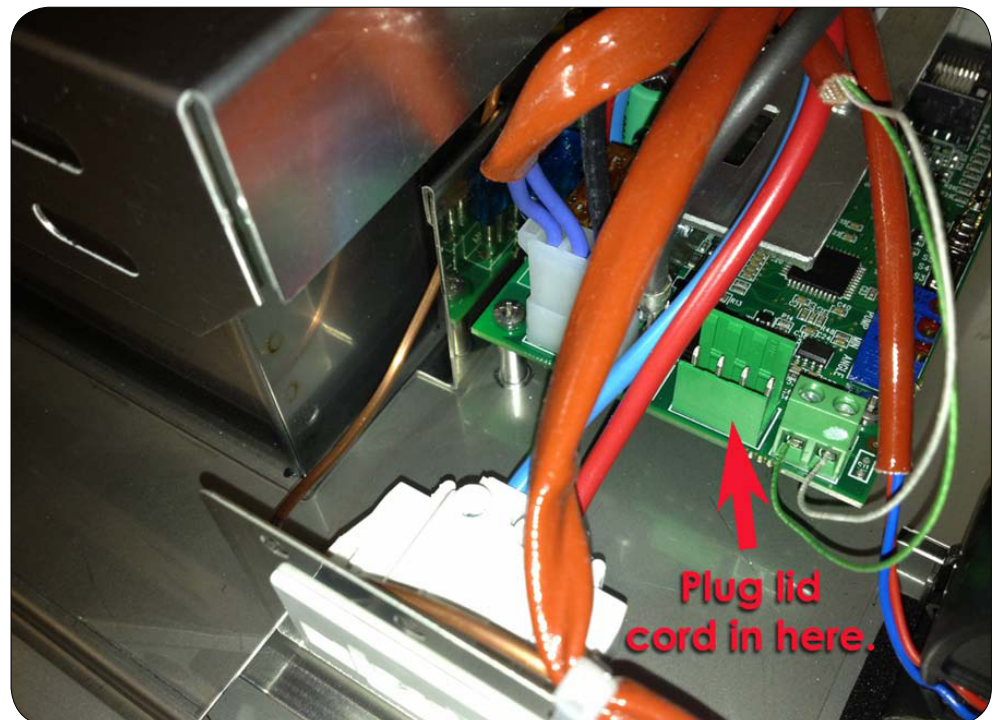
Remove the connection cable from printed wire board (older version) or remove the shortcut piece from printed wire board.  
Connect blower lid to printed wire board (to the place where you removed the old connector).  
Use cable tie to fasten the cable.



Please assure that the cable and fuel tube will not contact the tangential blower or exhaust pipe.  
Insulate either the fuel tube or exhaust pipe if needed.



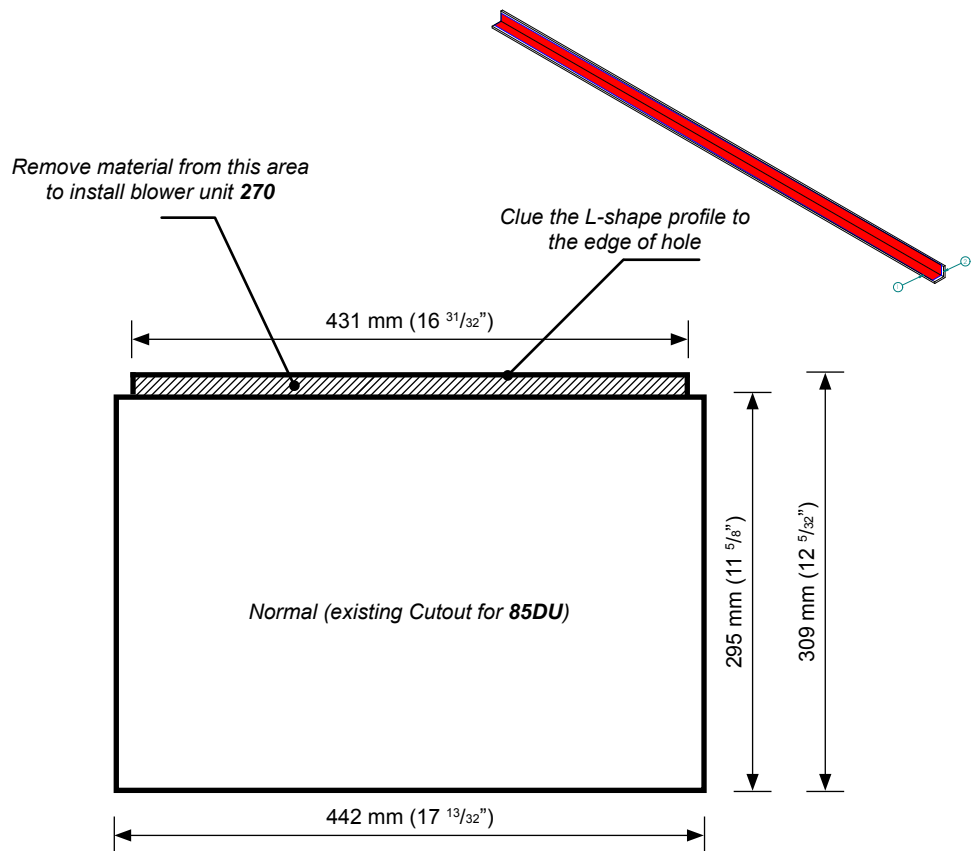
Step 1



Step 2

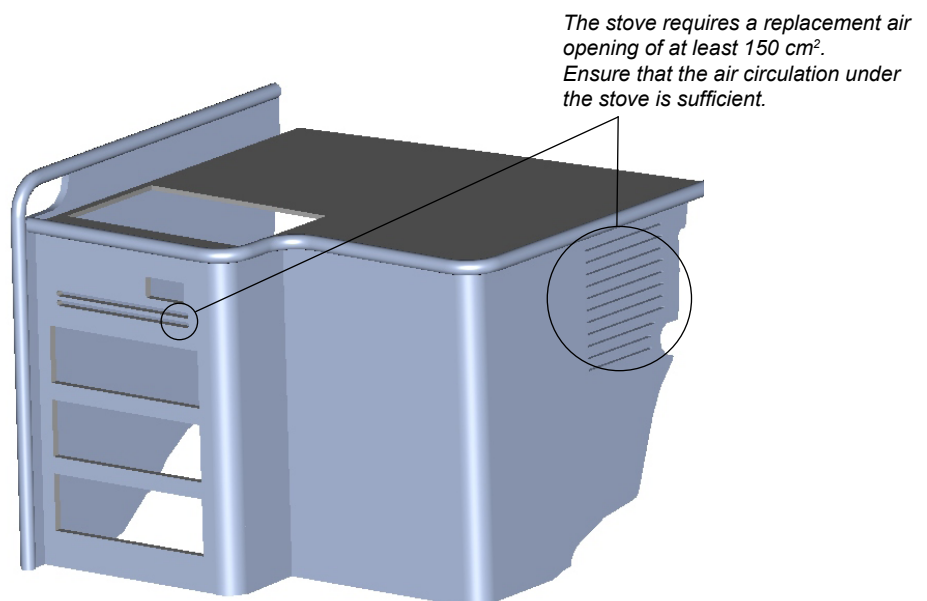
**CUTOUT dimensions for Blower lid 270 with 85DU**

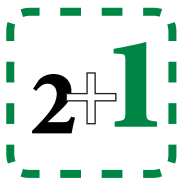
Cut extra space needed for blower lid (lined area). Clue the L-shape profile to the edge of hole.



**Minimum size of the replacement air opening**

After the installation of Blower Lid 270 needed replacement amount air will rise. Minimum surface area for replacement air opening is 150 cm<sup>2</sup>.





**Wallas-Marin Oy** (the manufacturer) shall be liable for any defects in the raw material or manufacture of the products and items sold by the importer for 24 months from the day of sale on the following conditions.

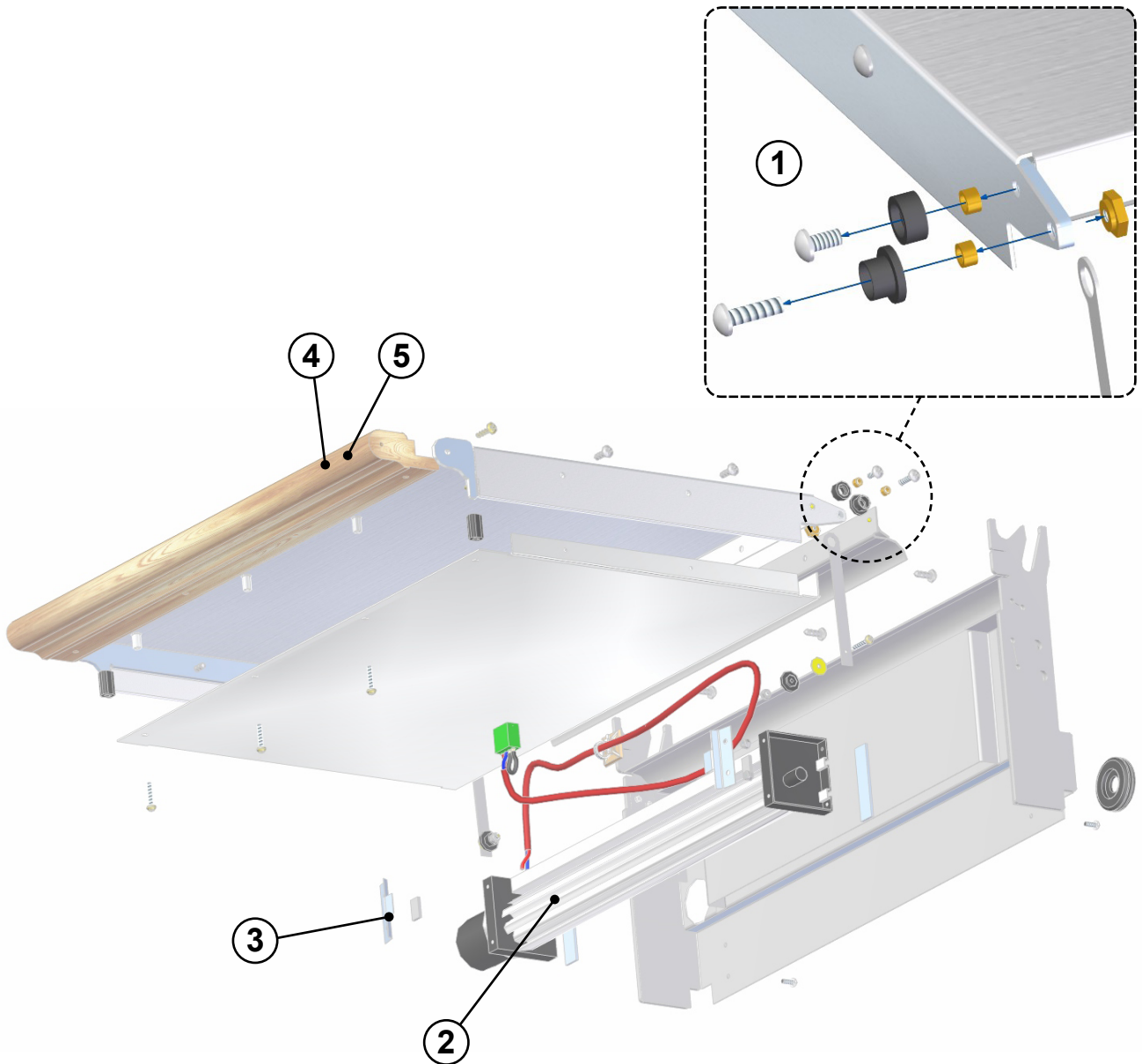
Warranty can be extended by a further 12 months by registering the product in the website of Wallas-Marin Oy ([www.wallas.fi](http://www.wallas.fi)) within three (3) months of the unit being sold to the end customer.

1. In the event of a defect:
  - a) Look at the check list on the website or installation / usage manual ([www.wallas.fi](http://www.wallas.fi)) to make sure the defect in question is not related to use. A simple problem might not be covered by the warranty ie. water in diesel or unit requires a service.
  - b) Notification of the defect must be given in writing immediately, if possible, but no later than two (2) months after the appearance of the defect. After the warranty period ends, a referral back to a notification at the time of the warranty period is not valid unless the notification was made in writing. A valid receipt or another reliable official document of the time of purchase is required for proof of warranty eligibility.
  - c) For repairs under warranty, the customer must take the product to the place of purchase (the seller is responsible for handling units with warranty issues), to an authorized repair shop or to Wallas-Marin Oy factory service. Warranty service must be done by authorized Wallas repair personnel. The warranty does not cover costs for the removal and reinstallation of the device or for any damage in transit of a device that has been sent for repair. Warranty does not include any transport costs. (Wallas is a return to base warranty).
  - d) The customer must provide the following information in writing for warranty service:
    - description of the problem.
    - a description of where and how the device was installed (photographs of the installation may help)
    - product type and serial number, place and date of purchase
2. This warranty is not valid in the following cases when:
  - failure occurs as a result of components, which are not approved by the manufacturer, have been added to the device, and/or, its structure has been modified without the consent of the manufacturer.
  - the instructions for installation, operation or maintenance have not been followed.
  - storage or transport has been inappropriate.
  - a problem has resulted from an accident or damage, which Wallas has had no control over (force majeure).
  - problems arise from normal wear and tear. Wearing parts include: glow coil/plug, combustion / blower motors (warranty limit 2000 running hours), bottom matt, fuel needle, fuel pump and fuel filter, seals
  - the product has suffered from improper handling, unsuitable fuel, low voltage, excess voltage, damage due to dirt, water penetrating in to the unit or corrosion
  - the device has been opened without the explicit permission of the factory/importer
  - components, other than original Wallas spare parts or components, have been used in the repair of the device.
  - repair by unauthorized service company
3. Repairs carried out during the warranty period do not renew or alter the original warranty period.
4. Indirect damages arising from a defective product are not covered by this warranty.
5. This warranty is only valid for boat products that have been installed in boats and for cottage products that have been installed in cottages. The warranty does not cover Wallas products installed in vehicles or other areas.
6. This warranty does not limit rights specified in consumer protection legislation.



**When making a warranty claim, the customer must provide proof that the maintenance and safety instructions have been thoroughly followed. This warranty does not apply to defects which have arisen due to carelessness in following installation, operation and maintenance instructions.**





	spare part no
① HINGE ROLLER SET	<b>368057</b>
③ FASTENING KIT FOR BLOWER, 270	<b>368060</b>
⑤ HANDLE, 270 / GREY	<b>368059</b>
○	
○	
○	
○	
○	
○	

	spare part no
② TANGENTIAL BLOWER	<b>365413</b>
④ HANDLE, 270	<b>368058</b>
○	
○	
○	
○	
○	
○	





---

**Wallas-Marin Oy**  
Kärrykatu 4  
20780 Kaarina Finland  
[www.wallas.com](http://www.wallas.com)

Oikeudet muutoksiin pidätetään.  
We reserve the right to changes.  
Vi behåller rätten att göra ändringar.  
Vi reserverer oss retten til endringer.