

1300

KEROSENE SERIES | Air Heater

 wallas®



Very low power consumption

Low maintenance

Exhaust gas is safely expelled outside keeping the indoor air clean and odorless



Durable Finnish design and manufacturing keep your heater running through tough weather conditions

Small heater is very easy to install

Simple On/Off control



Ensure everyone's safety with a heater that has low temperature on unit and exhaust pipe

Keep interior upholstery fresh with dry heat from the laminar combustion

Enjoy your conversations with a quiet heater

1300

KEROSENE SERIES | Air Heater



SPECIFICATIONS

Fuel:	Kerosene/paraffin
Power:	1200 W (4,000 BTU)
Operating voltage:	12 V
Fuel consumption:	0,13 l/h (4.4 oz/hr)
Electricity consumption:	0.4 A
Heatable area:	One roomy cabin or cockpit

RECOMMENDED BUILDS

Boats:	up to 5 m (16 ft)
Trailers:	up to 5 m (16 ft)

MATERIALS

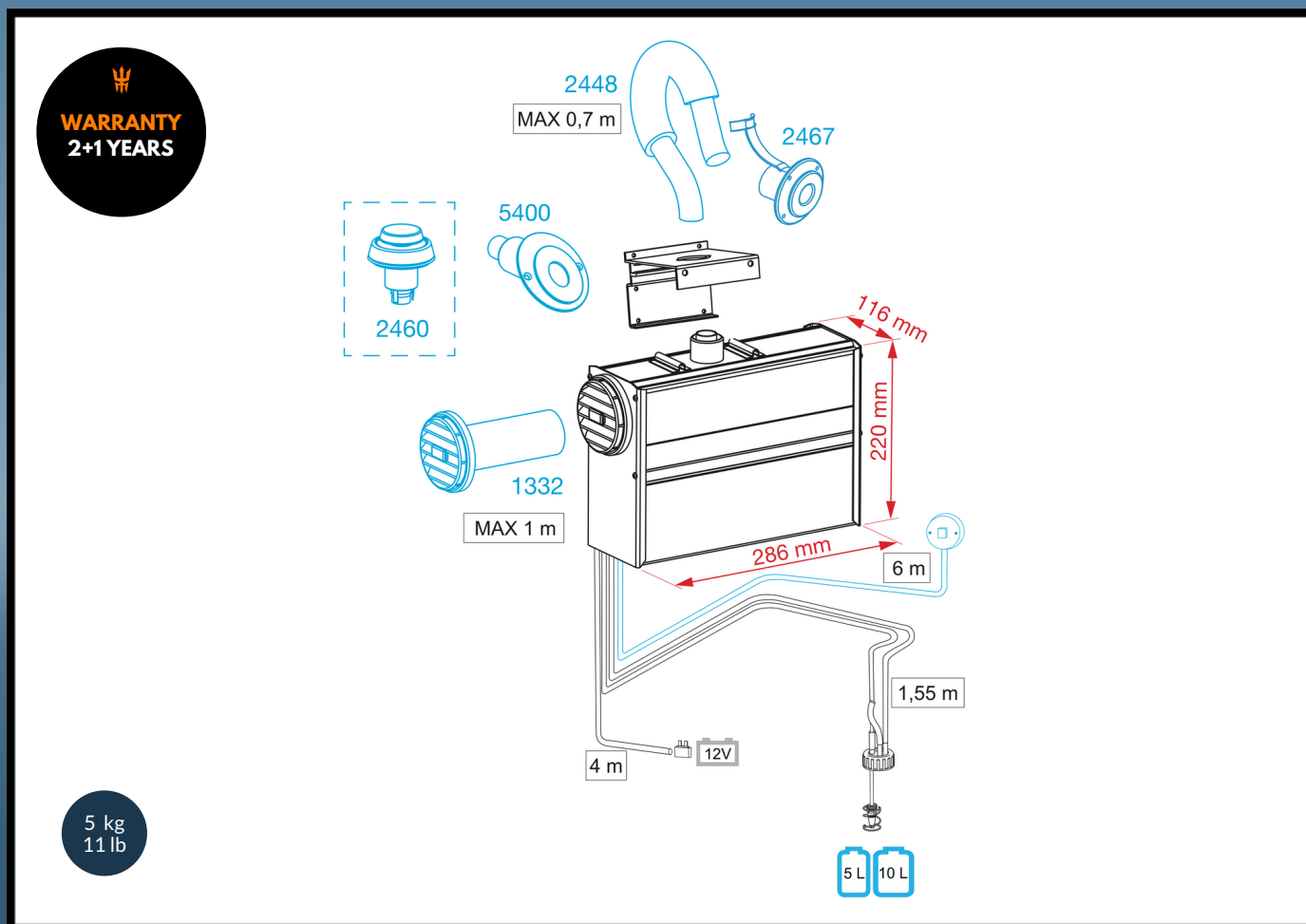
Stainless steel, high-grade aluminum, other corrosion-resistant materials

Compact free-blowing (non-ducted) forced air cabin heater with a built-in fan for heat distribution

Safe closed combustion is odorless and doesn't produce any kerosene smell in the cabin

The warm air outlet grill can be freely positioned in desired direction

Wallas 1300 is perfect for smaller sail and motorboats



Accessories in black come with the standard package. Accessories in blue are additional. The calculated values are measured in a reference measurement wall, which is constructed to respond to a typical boat installation. The technical values have been measured with the maximum length of ducting, exhaust pipe, fuel line, and power cord. The figures allow for 10% reserve - yours may vary.

All rights reserved. Wallas-Marine reserves the right to change or improve its products and to make changes in the content of this product material without obligation to notify any person or organization of such changes or improvements. Go to www.wallas.com for current updates and supplemental information concerning this product.



www.wallas.com